

2" Side Loading Water Station

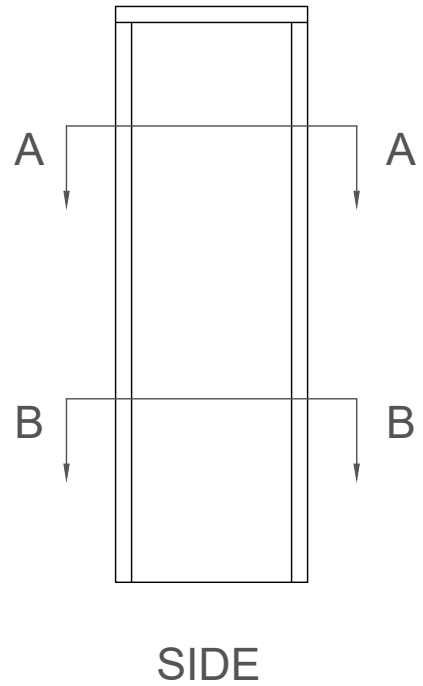
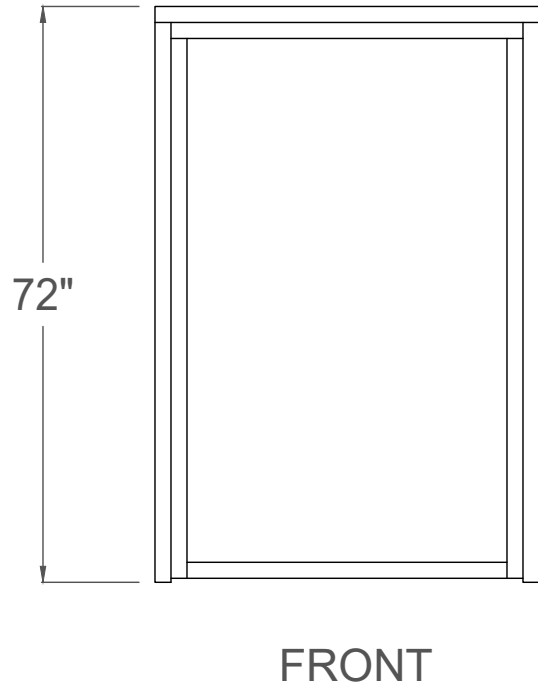
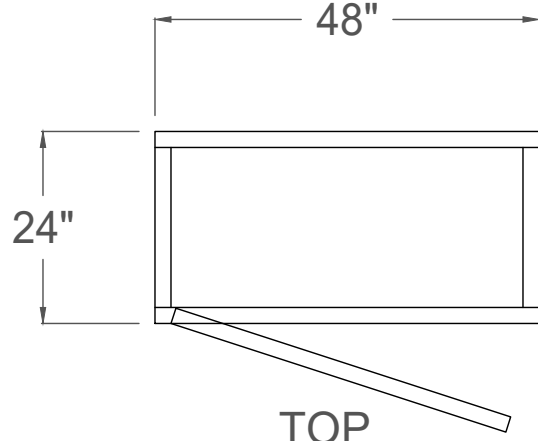


- ❖ 2" Side Loading Station Delivers 50-100gmp (40-80psi)
 - Fills a 210 gallon tank in 3 minutes at 70gpm
 - Fills a 500 gallon tank in 8 minutes at 70gpm
 - Fills a 2,000 gallon truck in 29 minutes at 70gpm

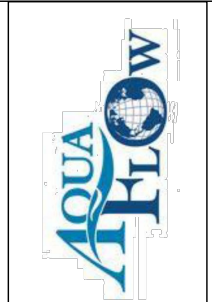
- ❖ Operating Systems Available
 - AquaTrack Internet/Cloud Based System
 - AquaFlow II RFID Card Based System
 - AquaVendor Hybrid Internet/Card based system
 - QuarterMaster Coin/Token Based System

DRAWING SCHEDULE 2" SIDE

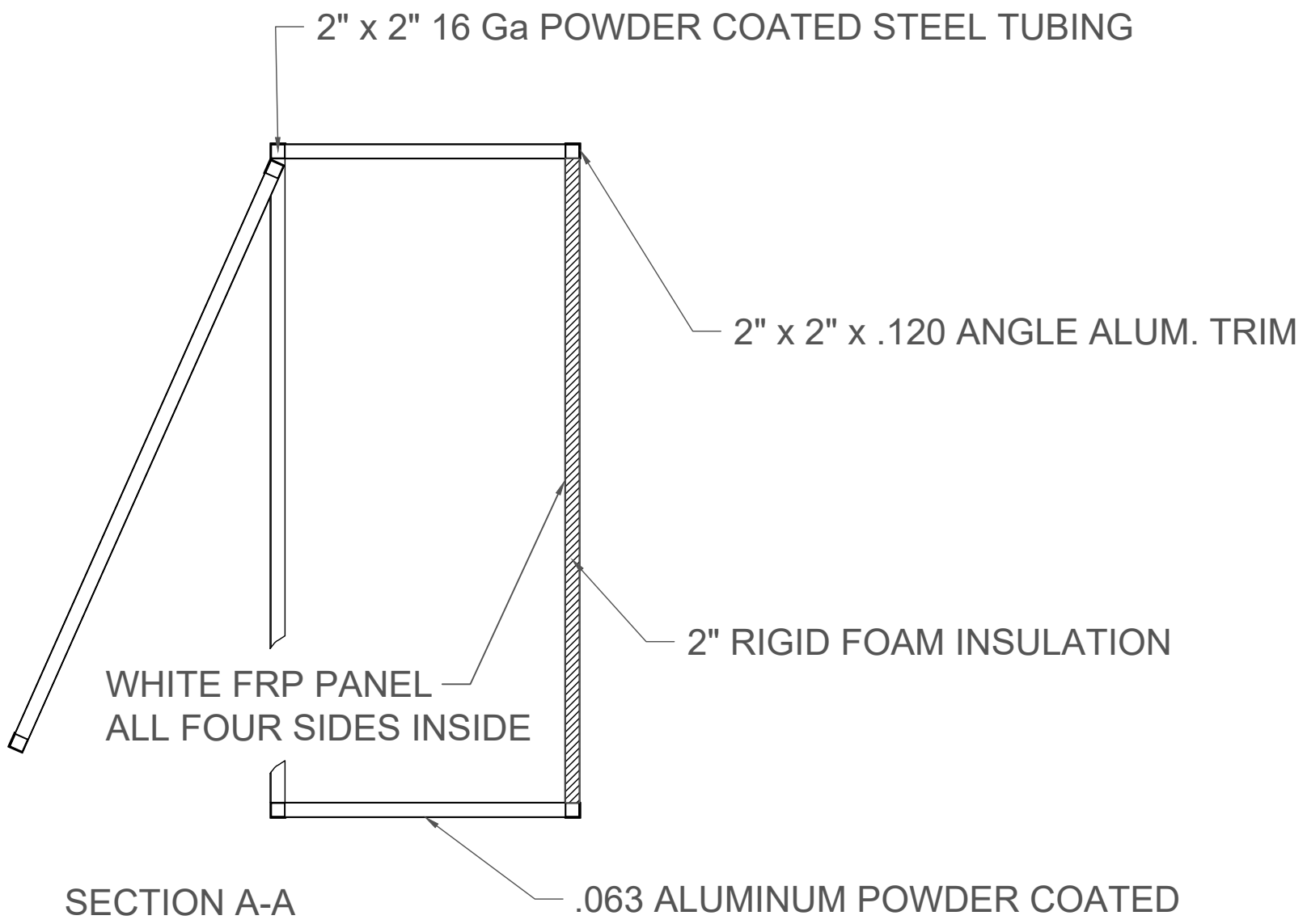
PDF LABEL	DRAWING NUMBER	DRAWING NAME
B2S1	1 of 9	ENCLOSURE LAYOUT
B2S2	2 of 9	ENCLOSURE LAYOUT SECTION A-A
B2S3	3 of 9	ENCLOSURE LAYOUT SECTION B-B
B2S4	4 of 9	COMPONENT LAYOUT
B2S5	5 of 9	ELECTRICAL COMPONENTS
B2S6	6 of 9	PLUMBING COMPONENTS
B2S7	7 of 9	PLUMBING / ELECTRICAL
B2S8	8 of 9	SLAB LAYOOUT DETAIL
B2S9	9 of 9	SAMPLE SITE DRAWING
B2S		DRAWING SCHEDULE



AQUA FLOW INT'L. INC.
 P.O. BOX 2841
 FLAGSTAFF, AZ. 86003
 (928) 380-6164



2" SIDE LOADING STATION
 ENCLOSURE LAYOUT
 SCALE: 1/2" = 1'-0"



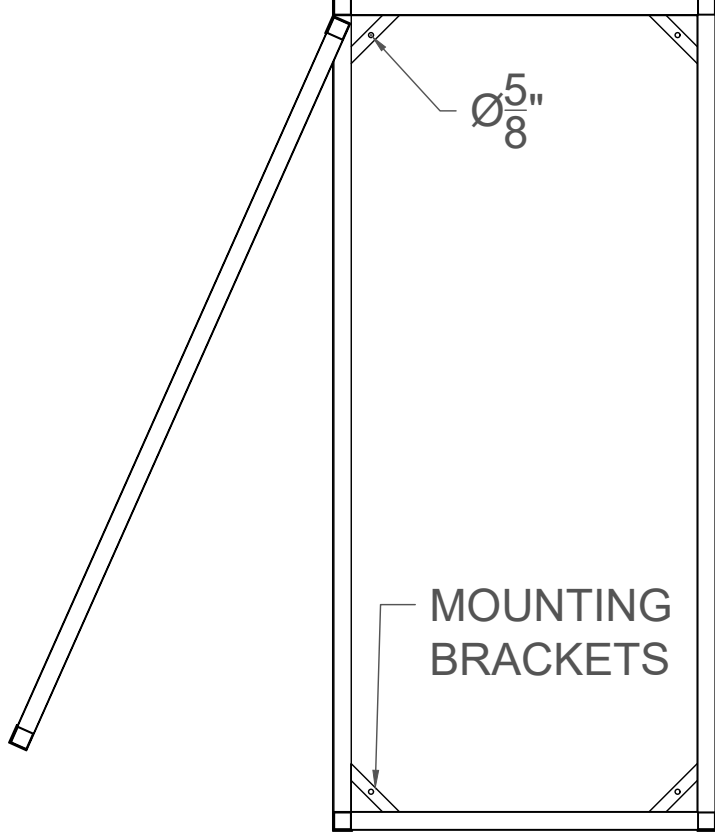
SECTION A-A

AQUA FLOW INT'L. INC.
 P.O. BOX 2841
 FLAGSTAFF, AZ. 86003
 (928) 380-6164



2" SIDE LOADING STATION
 ENCLOSURE LAYOUT
 SECTION A-A
 SCALE: 1" = 1'-0"

SECTION B-B



2" SIDE LOADING STATION

ENCLOSURE LAYOUT
SECTION B-B

SCALE: 1" = 1'-0"

3

OF

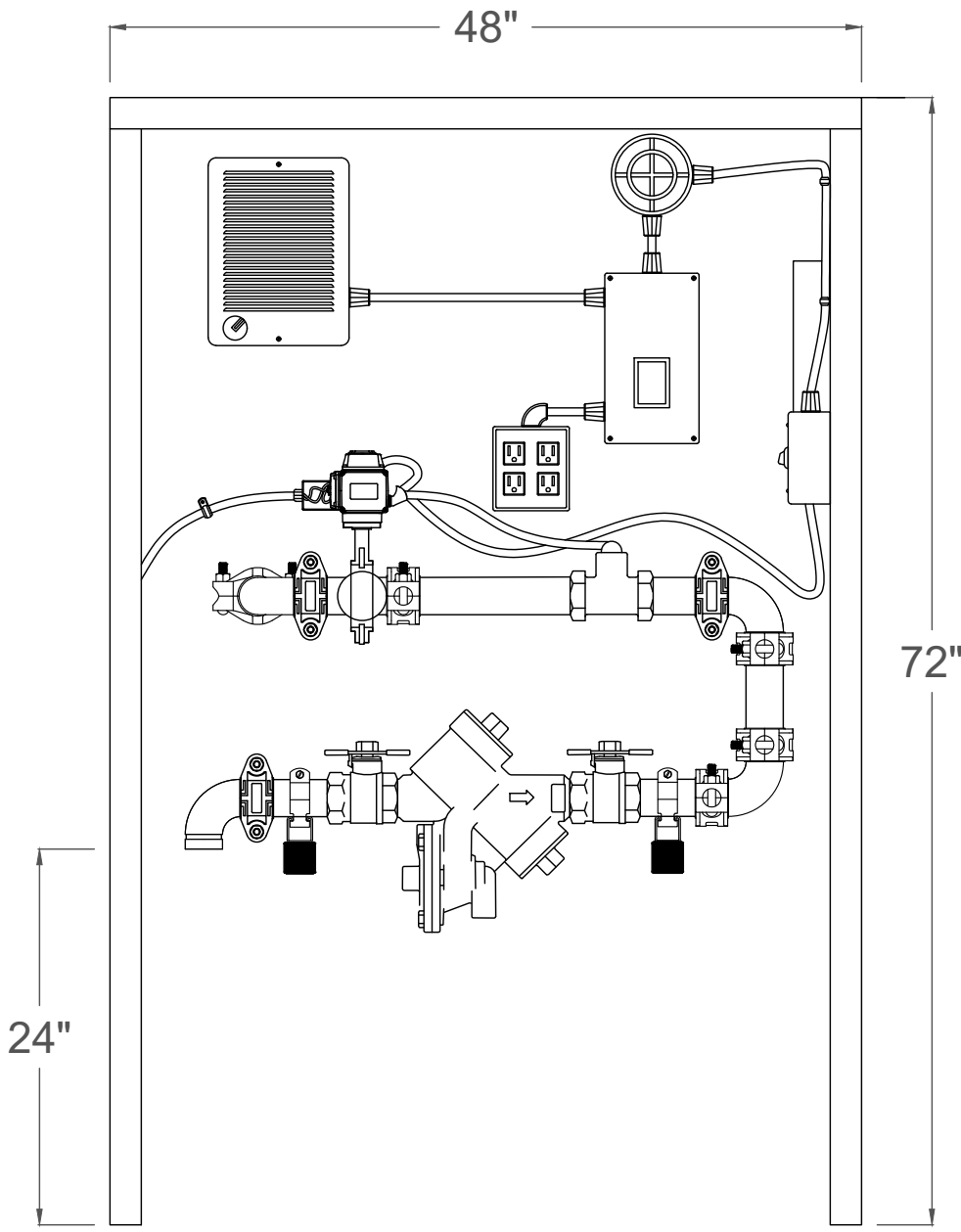
9



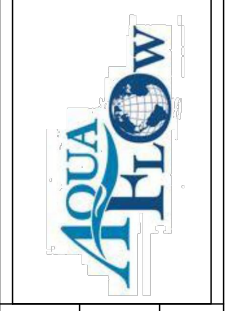
AQUA FLOW INT'L. INC.

P.O. BOX 2841
FLAGSTAFF, AZ. 86003

(928) 380-6164

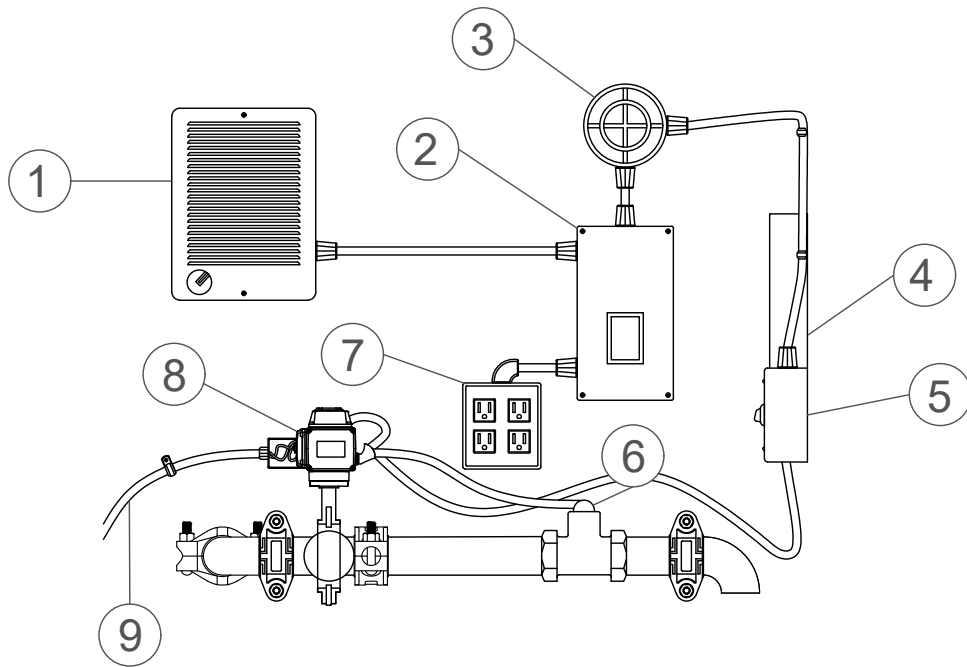


AQUA FLOW INT'L. INC.
 P.O. BOX 2841
 FLAGSTAFF, AZ. 86003
 (928) 380-6164



2" SIDE LOADING STATION
 COMPONENT LAYOUT
 SCALE: 1" = 1'-0"

4 OF 9



NOTE:
CUSTOMER INTERFACE PANEL
CAN BE MOUNTED ON EITHER
SIDE OF ENCLOSURE.

BILL OF MATERIALS

ITEM	QUAN.	DESCRIPTION
1	1	HEATER
2	1	SUB PANEL
3	1	LIGHT
4	1	CUSTOMER INTERFACE
5	1	LIGHT SWITCH
6	1	FLOW SENSOR
7	1	RECEPTICLE
8	1	BUTTERFLY VALVE
9		1/2" LFMC

AQUA FLOW INT'L. INC.
P.O. BOX 2841
FLAGSTAFF, AZ. 86003
(928) 380-6164



2" SIDE LOADING STATION

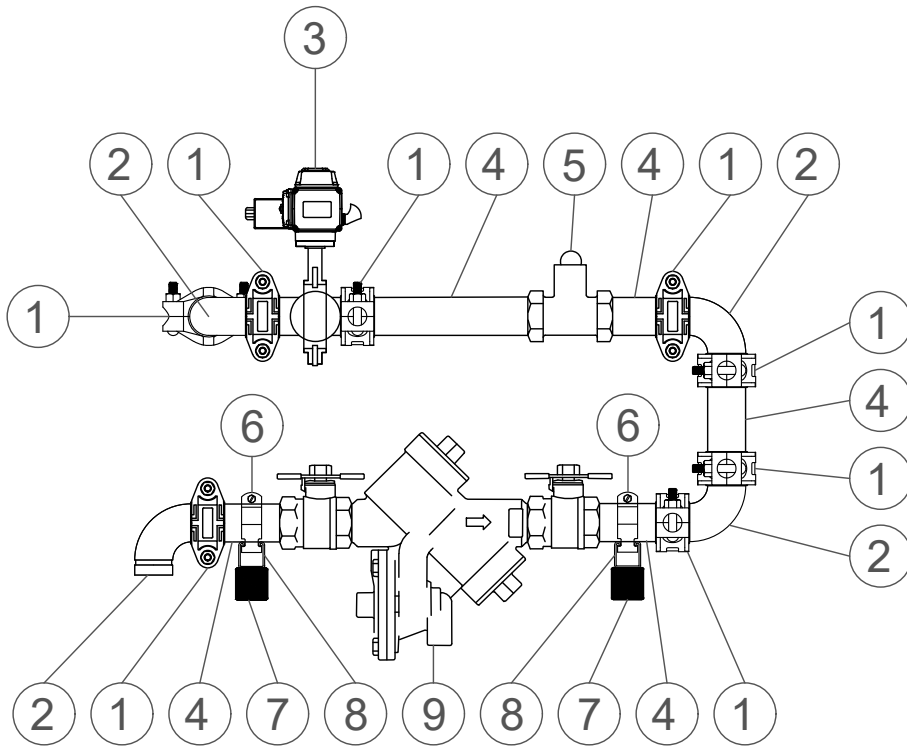
ELECTRICAL COMPONENTS

SCALE: 1" = 1'-0"

5

OF

9

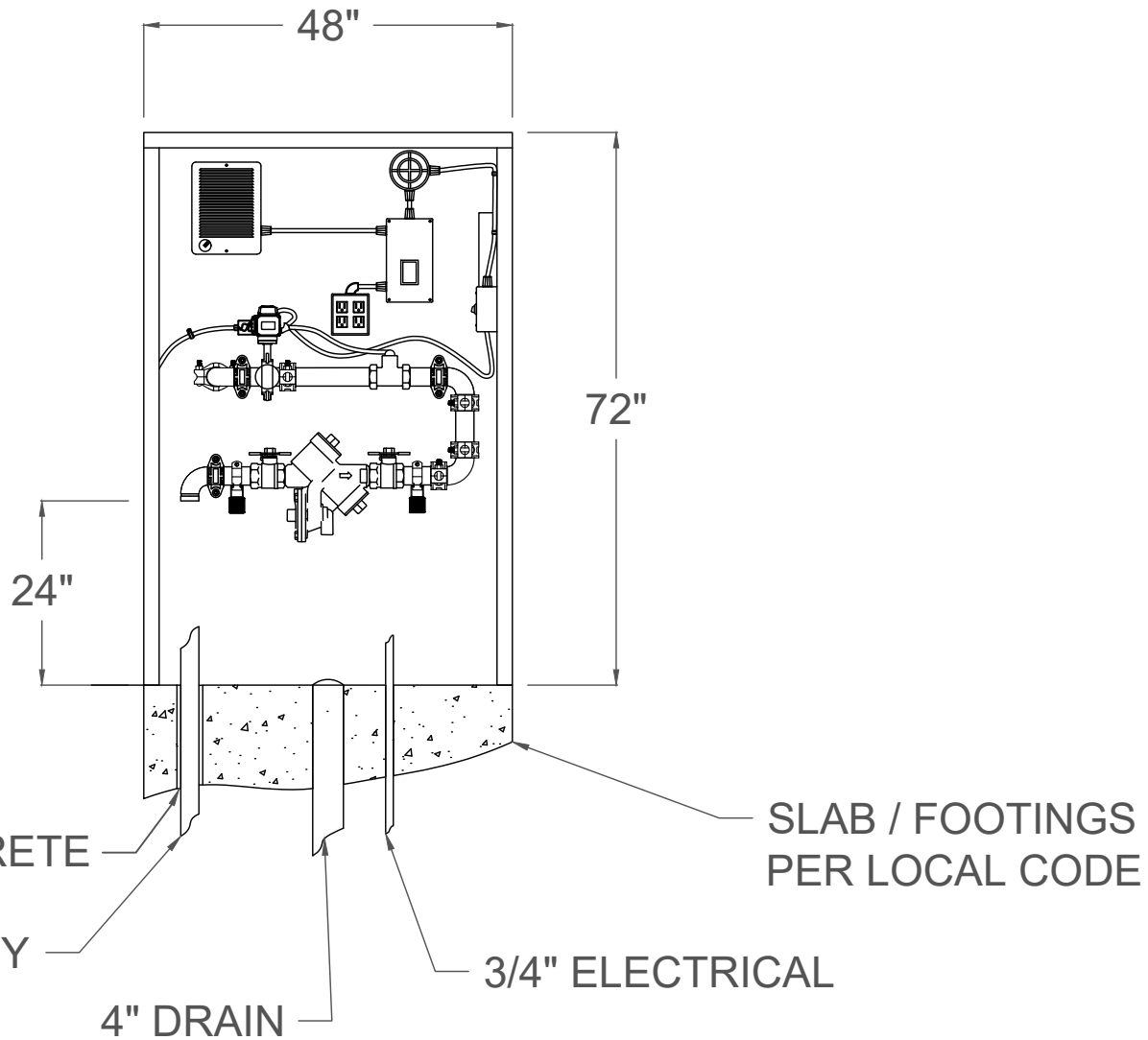


BILL OF MATERIALS		
ITEM	QUAN.	DESCRIPTION
1	8	CLAMP
2	4	ELBOW
3	1	BUTTERFLY VALVE
4	5	2" PIPE
5	5	FLOW SENSOR
6	2	UNISTRUT CLAMP
7	2	2 X 2 SQUARE TUBING
8	2	UNISTRUT
9	1	BACK FLOW

AQUA FLOW INT'L. INC.
P.O. BOX 2841
FLAGSTAFF, AZ. 86003
(928) 380-6164



2" SIDE LOADING STATION	PLUMBING COMPONENTS	SCALE: 1" = 1'-0"
6	OF	9



PLEASE SEE SLAB DETAILS FOR PLACEMENT OF SUPPLY AND DRAIN.

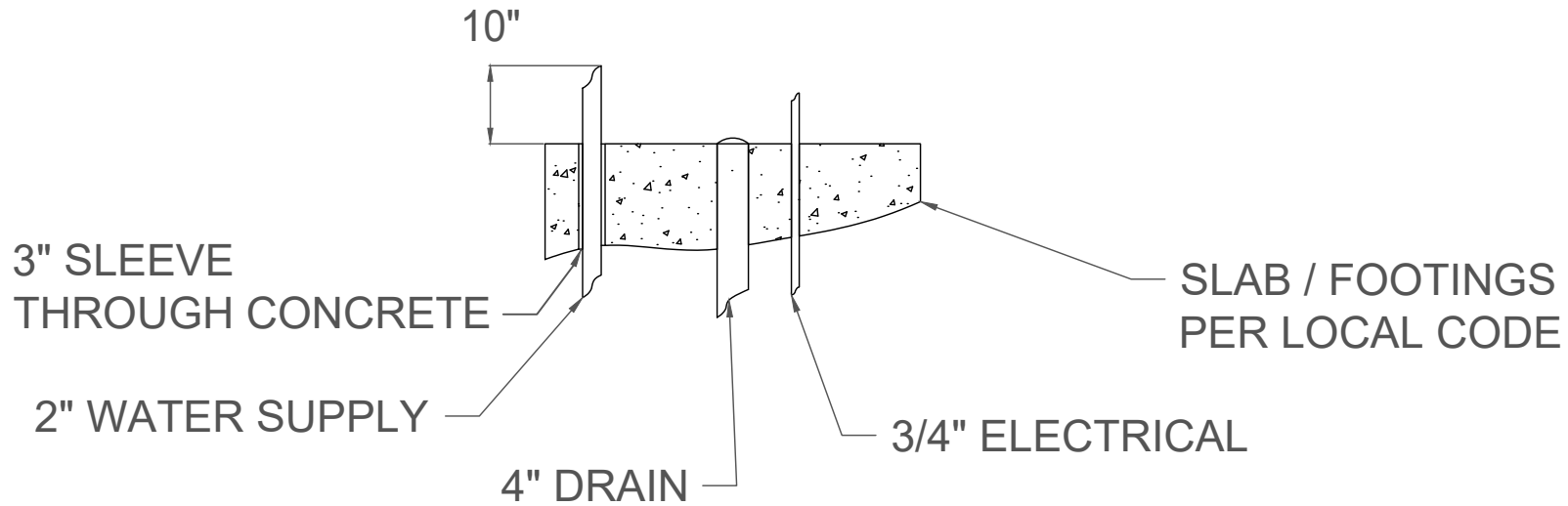
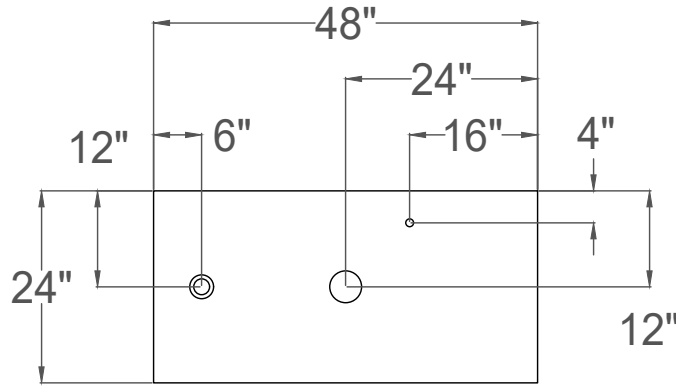
AQUA FLOW INT'L. INC.
P.O. BOX 2841
FLAGSTAFF, AZ. 86003
(928) 380-6164



2" SIDE LOADING STATION

ENCLOSURE LAYOUT
PLUMBING / ELECTRICAL

SCALE: 1/2" = 1'-0"



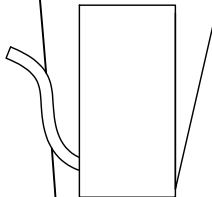
AQUA FLOW INT'L. INC.
 P.O. BOX 2841
 FLAGSTAFF, AZ. 86003
 (928) 380-6164



2" SIDE LOADING STATION
 SLAB LAYOUT DETAIL
 SCALE: 1/2" = 1'-0"

8 OF 9

CUSTOMERS
LOAD THIS
SIDE



ACCESS
DOOR
SIDE

AQUA FLOW INT'L. INC.
P.O. BOX 2841
FLAGSTAFF, AZ. 86003
(928) 380-6164



2" SIDE LOADING STATION

SAMPLE SITE DRAWING

SCALE: 1/4" = 1'-0"

9
OF
9